



ELEIKO KETTLEBELL RACK DOUBLE

Assembly Instructions

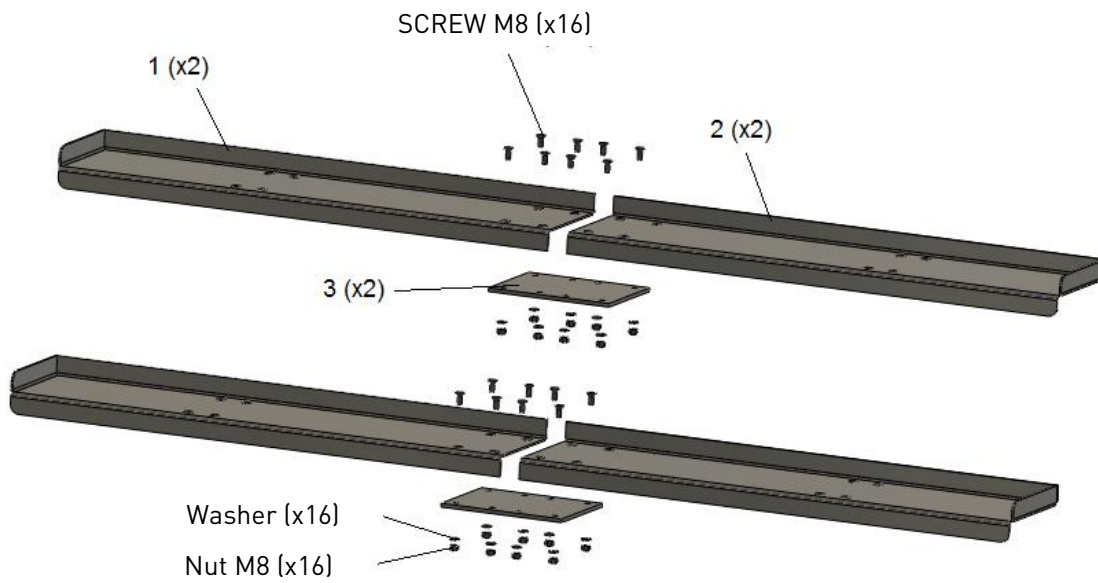
KETTLEBELL RACK DOUBLE

3001410

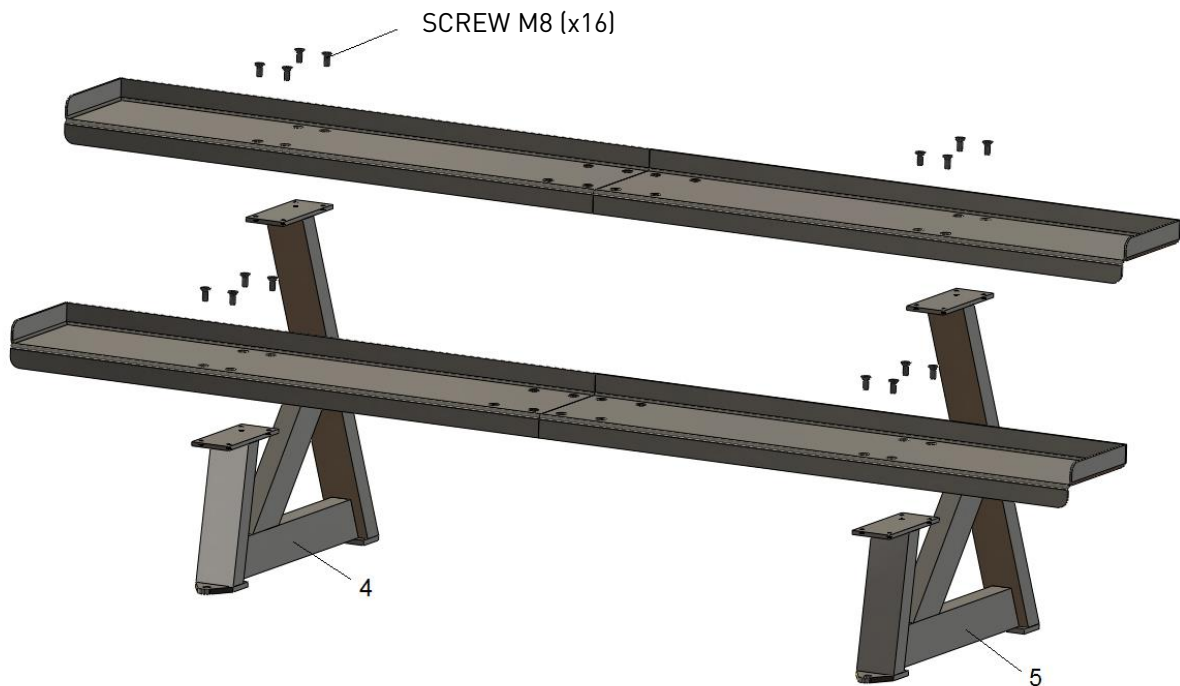
ASSEMBLY INSTRUCTIONS



1. Assemble part 1 and 2 with part 3. Use eight screws M8, nuts M8 and washers. Do two sets of assemblies.



2. Assemble the part above with legs 4 and 5. Use 16 screws M8.



3. Place the rubber mats on top of the stand.



Content

No

- 1 2 x Table part left
- 2 2 x Table part right
- 3 2 x Sheet metal 200x280 mm
- 4 1 x Left leg
- 5 1 x Right leg

- 2 x Rubber mat
- 32 x Screw M8
- 32 x Nut M8
- 32 x Washer